

## TX2D-A024MC2081 (ORDER NO. 095026)

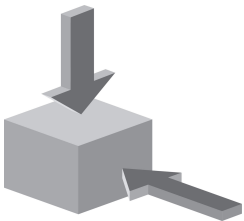
### Safety switch TX

- ▶ Auxiliary release on the front
- ▶ With door monitoring contact



### Description

#### Approach direction



Figure

Horizontal and vertical

Can be adjusted in 90° steps

#### Solenoid operating voltage

- ▶ AC/DC 24 V +10%, -15%

#### LED function display

The switch has a function display (2 LEDs, red and green). The LED voltage is same as the solenoid operating voltage.

#### Guard locking type

TX2 Open-circuit current principle, guard locking by applying voltage to the solenoid. Release by spring force.

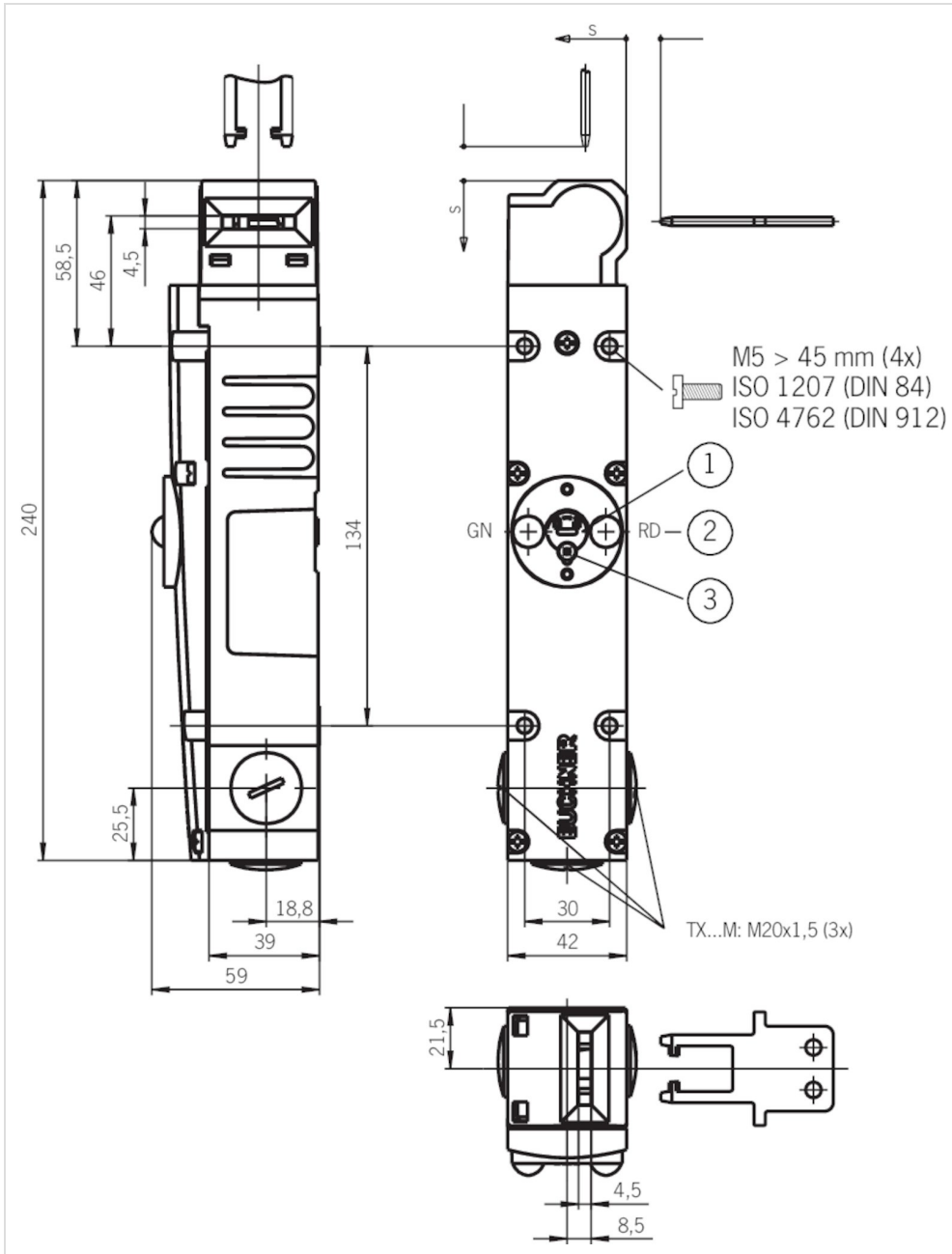
#### Switching element

ETX D Slow-action switching contact 2 NC  $\rightarrow$  + 2 NC  $\rightarrow$  (door monitoring contacts)

## Auxiliary release

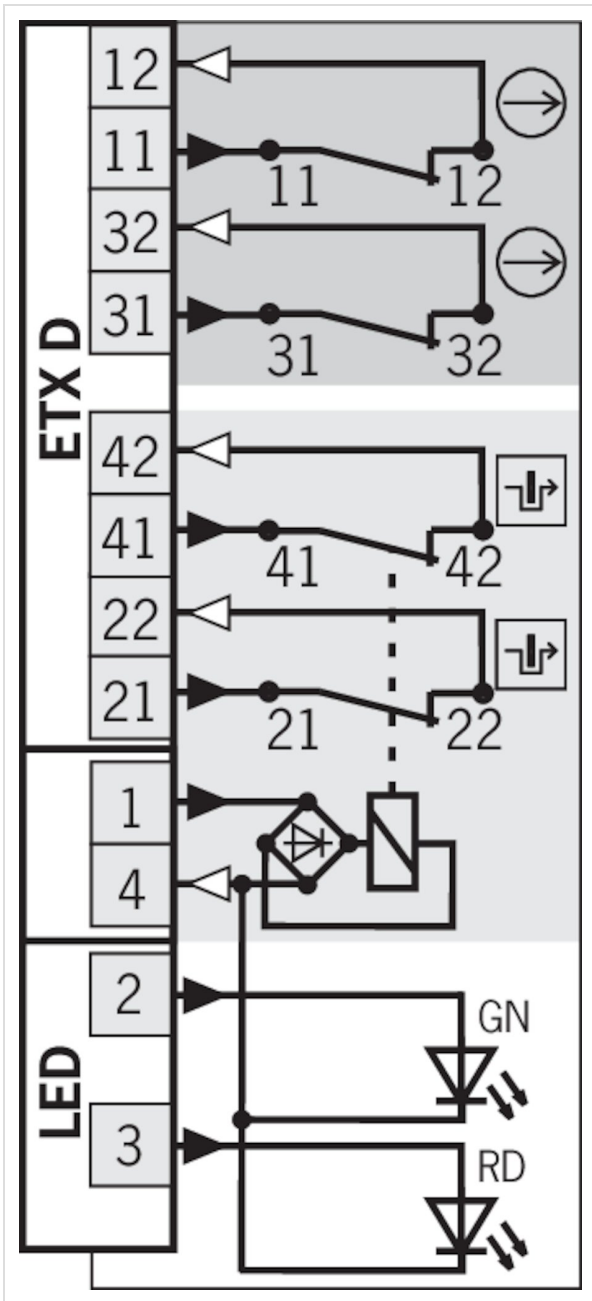
Is used for releasing the guard locking with the aid of a tool. The auxiliary release must be sealed to prevent tampering (for example with sealing lacquer).

## Dimension drawing

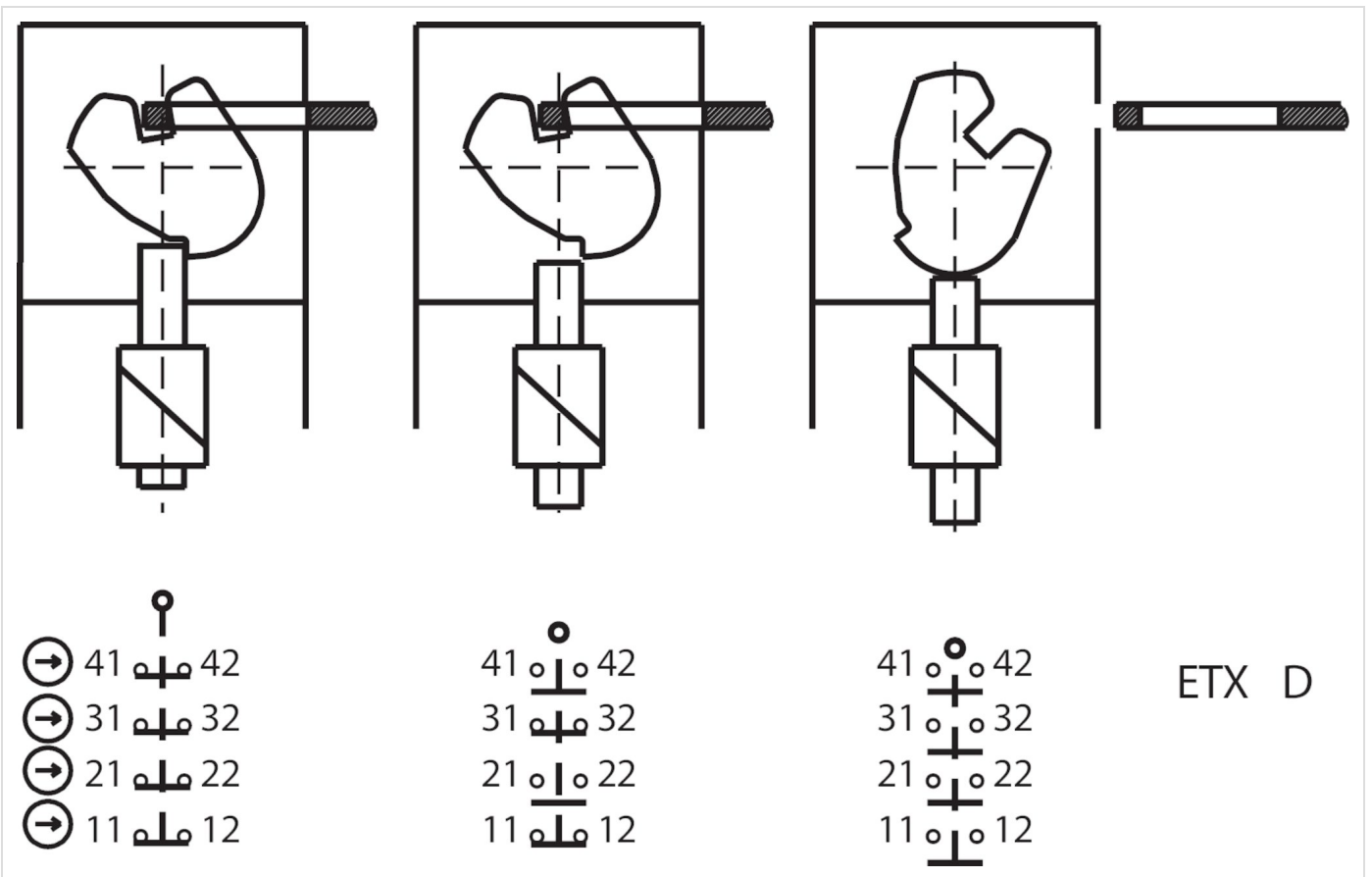


- 1 Auxiliary release
- 2 LED indicator
- 3 Locking screw

ETX D



Switching functions



Technical data

Approvals



Mechanical values and environment

Housing material	Housing	Die-cast alloy, cathodically dipped
Weight	Net	0,8 kg
Ambient temperature		-20 ... 80 °C
Degree of protection		IP67
Mechanical life		1 x 10 <sup>6</sup>
Contact material		Silver alloy, gold flashed
Switching principle		Slow-action switching contact
Installation orientation		Any
Number of door position positively driven contacts		2
Number of guard lock monitoring positively driven contacts		2
Connection	3 x	M20 x 1.5
Approach speed		max.20 m/min
Actuation frequency		max.1200 1/h
Guard locking principle		Open-circuit current principle
Locking force F <sub>max</sub>		1700 N
Locking force F <sub>Zh</sub>		1300 N
Retention force		20 N
Extraction force		35 N
Actuating force		35 N
Insertion depth		32 mm

### Electrical connection ratings

Thermal rated current I <sub>th</sub>		4 A
Utilization category acc. to EN 60947-5-1	AC-15	4A 230V
	DC-13	4A 24V
Solenoid operating voltage	AC/DC	24 V -15% ... +10%
Short circuit protection according to IEC 60269-1		4A gG
Rated insulation voltage U <sub>i</sub>		250 V
Rated impulse withstand voltage U <sub>imp</sub>		2,5 kV
Switching voltage	Min. at 10mA	12 V
Switching current	Min. at 24V	1 mA
Connection rating		8 W
Solenoid duty cycle		100 %
Connection cross-section		0,34 ... 1,5 mm <sup>2</sup>
LED indicator		Operating voltage corresponds to the solenoid voltage (2 LEDs; green, red)

### Reliability values according to EN ISO 13849-1

---

## Monitoring of guard locking and the safety guard position

---

B10<sub>D</sub>

6 x 10<sup>6</sup>

---

In combination with Actuator BETAETIGER-X-GQ

### Mechanical values and environment

Overtravel

1 mm

---

In combination with Actuator BETAETIGER-X-GNQ

### Mechanical values and environment

Overtravel

8 mm

---

## Accessories

Actuator

## Actuators for safety switches NX/TX

---



**079739**  
BETAETIGER-X-GQ

- ▶ Actuators made of stainless steel
- ▶ Two stainless safety screws per actuator
- ▶ With rubber bush

## Actuators for safety switches NX/TX, increased overtravel

---



**079741**  
BETAETIGER-X-GNQ

- ▶ Actuators made of stainless steel
- ▶ Two stainless safety screws per actuator
- ▶ With rubber bush

## Bent actuator for safety switches NX/TX

---



**079740**  
BETAETIGER-X-WQ

- ▶ Actuators made of stainless steel
- ▶ Two stainless safety screws per actuator
- ▶ With rubber bush

## Bent actuator for safety switches NX/TX, increased overtravel

---



**079742**  
BETAETIGER-X-WNQ

- ▶ Actuators made of stainless steel
- ▶ Two stainless safety screws per actuator
- ▶ With rubber bush

## Hinged actuator left/right for safety switches NX/TX

---



**098082**  
RADIUSBETAETIGER-X-LR-N

- ▶ Actuators made of stainless steel
- ▶ Two stainless safety screws per actuator

## Hinged actuator top/bottom for safety switches NX/TX

---



**097906**  
RADIUSBETAETIGER-X-OU-N

- ▶ Actuators made of stainless steel
- ▶ Two stainless safety screws per actuator

## Bolt

## Bolt TX-A for safety switches TX and NX

---



**082990**  
RIEGEL TX-A

- ▶ Steel bolt
- ▶ For doors hinged on the right
- ▶ Can be locked in open position with padlocks
- ▶ Actuator and switch bracket included

## Bolt TX-C for safety switches TX and NX

---



**082991**  
RIEGEL TX-C

- ▶ Steel bolt
- ▶ For doors hinged on the left
- ▶ Can be locked in open position with padlocks
- ▶ Actuator and switch bracket included

## Connection material

Cable glands M20x1.5, cable Ø 6.5-9.5 mm

---



**077683**  
EKVM20/06

Cable glands M20x1.5, cable Ø 9-13 mm

---



**077684**  
EKVM20/09

## Function expansion

## Emergency unlocking for safety switches TX

---



**094771**  
NOTENTSPERRUNG TX

## Lock for mechanical release for safety switches TX

---



**079795**  
SCHLOSS TX GLEICHSCHLIESSEND



**079796**  
SCHLOSS TX  
VERSCHIEDENSCHLIESSEND

## Lockout mechanism NX/TX

---



**096098**  
SPERREINSATZ TX

- ▶ Prevents unintentional closing of the door
- ▶ Can be secured with padlocks

## Release with automatic reset for safety switches TX

---



**094773**  
ENTRIEGELUNG RUECKSTELLEND  
TX1/3

## Mounting accessories

## Mounting plates EMP-B1 for actuators for safety switches CTP, TP...A, STA, STP, TX and TZ

---



093457  
EMP-B1

## Mounting plates EMP-B2 for actuators for safety switches CTP, TP...A, STA, STP, TX and TZ

---



093458  
EMP-B2

## Mounting plates EMP-SB for safety switches CTP, TP...A, STA, STP and TX

---



093456  
EMP-SB

► For vertical and horizontal mounting of safety switches TP...A, STA, STP and TX

## Spare parts

### Lead seal kit

---

087256  
PLOMBENSATZ C1937

## Contacts

🏠 EUCHNER GmbH + Co. KG  
Kohlhammerstraße 16  
70771 Leinfelden-Echterdingen

☎ +49 711 7597-0

📠 +49 711 753316

✉ info(at)euchner.de